

25mL Serological Pipettes

Item# 1780/1782/1784



1780 - Sterile, individually wrapped

Packaging:

- Available in single peel packs or 25-piece bags.
- Peel packs are made from polyethylene and medical paper and peel apart for easy pipette removal.



Description

Globe Scientific serological pipettes are manufactured under strict ISO 9001:2008 standards in a class 100,000 cleanroom. They are non-pyrogenic, non-cytotoxic, RNase-free and DNase-free. The pipettes are equipped with an aerosol barrier plug that prevents both liquid and aerosols from contaminating the pipettor. Printed black graduations prevent ambiguity and guarantee precise reading with less than 2% inaccuracy at full volume. Calibration is certified for accuracy.

Features

- Manufactured under strict ISO 9001:2008 standards
- Produced in a class 100,000 cleanroom
- Non-pyrogenic and non-cytotoxic
- RNase-free and DNase-free
- Sterile pipettes are sterilized by gamma irradiation (SAL 10⁻⁶)
- Aerosol barrier filter plug
- Reverse graduations
- Negative graduations
- Calibrated to deliver (TD) — calibration is certified for accuracy
- Color coded
- Fits all major brands of pipettors
- Individually wrapped pipettes are packaged in convenient color-coded dispenser boxes

Products

Item#	Description	Packaging
1780	25mL, sterile serological pipette individually wrapped	1 per pack, 100 per case
1782	25mL, sterile serological pipette bulk packed	25 per bag, 100 per case
1784	25mL, non-sterile serological pipette bulk packed	25 per bag, 100 per case

25mL Serological Pipettes

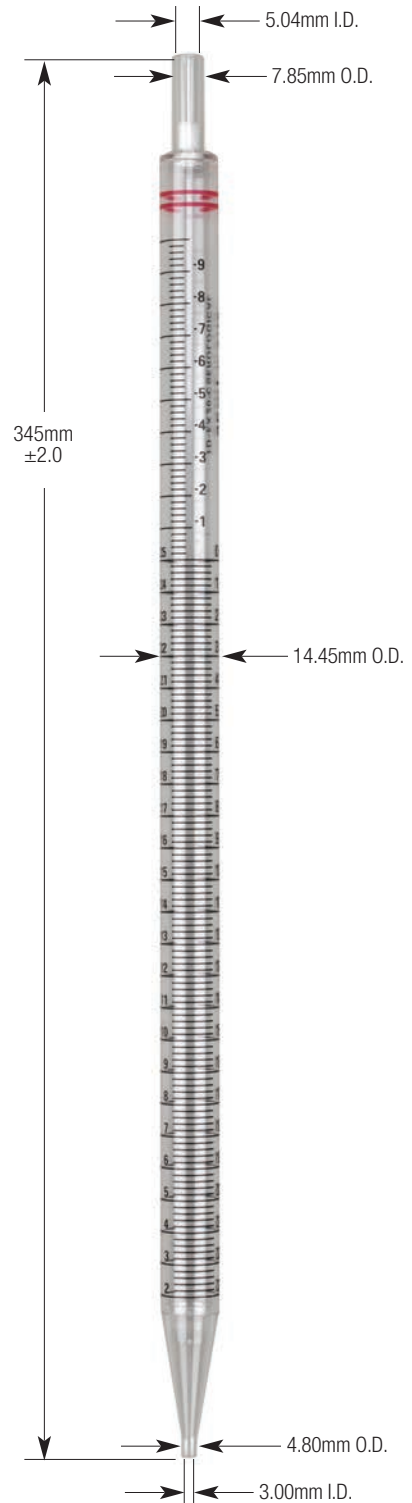
Item# 1780/1782/1784

Technical Specifications

- Material: Polystyrene (PS) USP Class 6 approved
- Plug: Hydrophilic PET
- Inaccuracy: <2% at full volume
- Sterility: Sterilized by gamma irradiation (SAL 10⁻⁶)
- Length: 345mm (13.58")
- Temperature Range: 0°C to +40°C
- Shelf Life: 5 years after month of production
- Manufactured under ISO 9001:2008 quality standards
- Calibrated to deliver (TD)
- Pyrogen-free, non-cytotoxic
- RNase-free and DNase-free

Data Table

Item	Volume (mL)	Graduation Increments (mL)	Negative Graduation Increments (mL)	Negative Graduations To	Descending Graduations	Color Code	Packaging
1780	25mL	0.2	0.2	-10	Yes	Red	Individual Paper/Plastic
1782	25mL	0.2	0.2	-10	Yes	Red	Bulk Plastic Bags
1784	25mL	0.2	0.2	-10	Yes	Red	Bulk Plastic Bags



Customer service, sales and technical support:

Phone 1 (800) 394-4562 • 1 (201) 599-1400

Fax 1 (201) 599-1406

E-mail mail@globescientific.com

Globe Scientific Inc.

400 Corporate Drive • Mahwah NJ 07430

www.globescientific.com