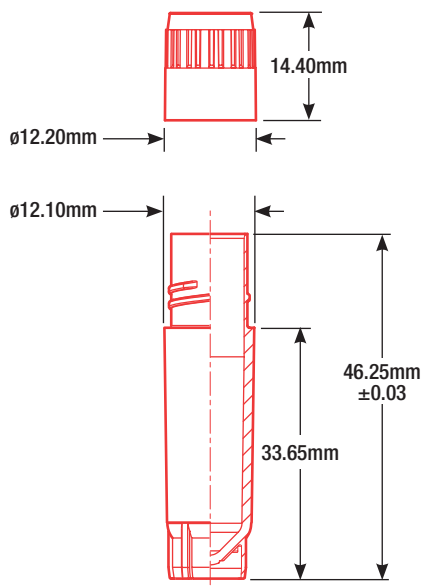


## 2mL CryoDense™ Cryogenic Vial, External Thread, Sterile

Item# 3020-2



### Technical Specifications

- Material: Polypropylene (PP)
- Autoclavable: Yes (with cap loosened or removed)
- Working Volume: 1.7mL
- Maximum Volume: 2.0mL
- Sterility: E-Beam sterilization SAL10<sup>-6</sup>
- Temperature Range: -196° to +121°C
- Certified: RNase free, DNase free, DNA free, Pyrogen free

### Description

Globe Scientific's CryoDense™ vials are designed for cryogenic storage and transport of biological specimens at temperatures as low as -196°C. The unique, slim-profile design of these external thread tubes and caps allow for more density of storage in racks, maximizing valuable cold storage space. The slim design also allows easier handling while storing or pipetting. The CryoDense™ lip seal closure requires only a half-turn to obtain a positive seal with less torque than other brands. The seal obtained is secure and virtually leakproof. The vials are tested and certified leakproof to 95kPa. A star-shape design at the base makes these vials stable on the benchtop and locks into place with our accessory storage boxes and other select boxes and racks for one-hand operation.

### Features

- Conical bottom, self-standing
- Slim design for maximum storage capacity and easy handling
- Lip seal closure for quick, half-turn seal
- Star shaped base for stability and one-handed operation in compatible racks and storage boxes
- Printed graduations and writing area
- Certified leakproof to 95kPa
- RNase free, DNase free, DNA free, Pyrogen free
- Manufactured in a cleanroom environment
- Compliant with IATA for shipping

### Packaging:

- 100 vials/bag, 10 bags/case

### Products

Item #	Description	Unit
3020-2	2mL cryogenic vial, STERILE, external thread, attached screwcap, conical bottom, self-standing, printed graduations, 100 vials/bag, 10 bags/case	1000

#### Customer service, sales and technical support:

Phone 1 (800) 394-4562 • 1 (201) 599-1400  
 Fax 1 (201) 599-1406  
 E-mail mail@globescientific.com

#### Globe Scientific Inc.

400 Corporate Drive • Mahwah, NJ 07430  
 www.globescientific.com