

5mL Transport Tube, Polypropylene (PP)

Item# 6101-A



Description

These popular tubes are designed for the safe storage and transport of biological materials. The transparent polypropylene (PP) vials allow unobstructed viewing of the sample. The vials are shatter-proof and may be exposed to freezing temperatures. They feature leak-resistant screw caps that can be removed or sealed in a single turn.

Features

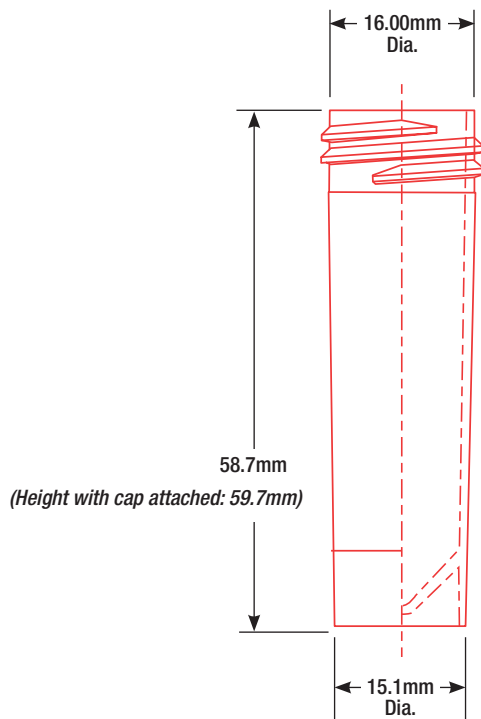
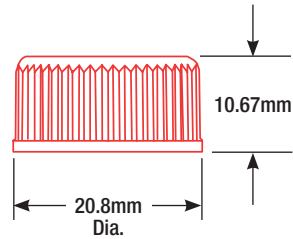
- Self-standing with conical bottom
- Molded graduations
- Shatter-proof polypropylene tubes
- Leak-resistant polyethylene (PE) screw caps

Products

Item #	Description	Unit
6101-A	5mL transport tube, white screw cap, unassembled	1000

5mL Transport Tube, Polypropylene (PP)

Item# 6101-A



Technical Specifications

Material: Tube: Polypropylene (PP)
Cap: Polyethylene (PE)

Dimensions: 16 x 59mm

Autoclavable: Yes (without cap) 121°C for 15 minutes

Temperature Range: -80°C to +121°C

Sterility: Non-sterile

Graduations: Molded, 1mL to 5mL at 1mL increments



Customer service, sales and technical support:

Phone 1 (800) 394-4562 • 1 (201) 599-1400

Fax 1 (201) 599-1406

E-mail mail@globescientific.com

Globe Scientific Inc.

400 Corporate Drive • Mahwah, NJ 07430

www.globescientific.com