

## 250mL Large Volume Centrifuge Tube

Item# 6336



### Description

These large volume centrifuge tubes are engineered to meet the demands of the most critical scientific work. The premium grade polypropylene (PP) tubes have molded graduation marks at 5mL, 10mL and 20mL, and then up to 220mL at 20mL increments. The high density polyethylene (HDPE) plug seal screw caps ensure a leak-proof seal.

### Features

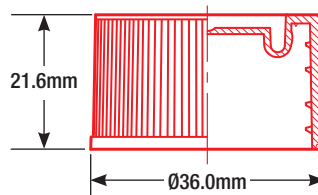
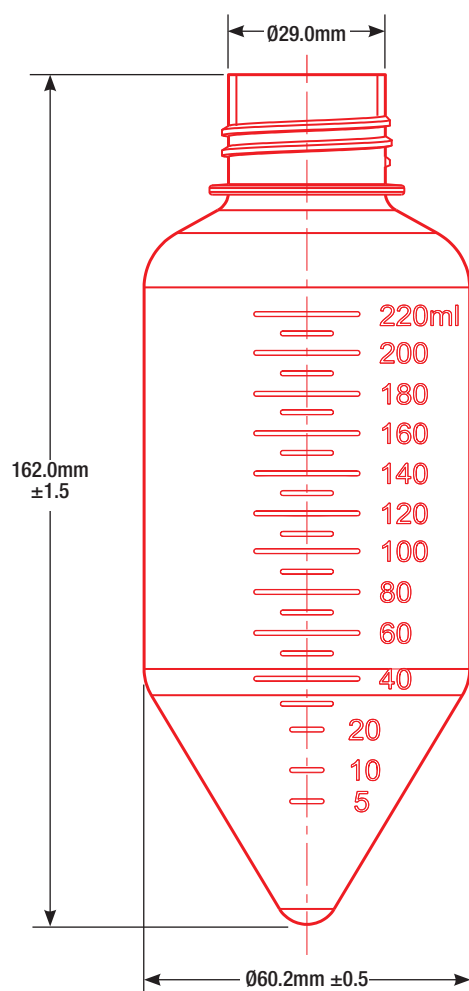
- Polypropylene (PP) tube with high density polyethylene (HDPE) plug seal screw cap
- Molded graduations to 220mL
- Max RCF up to 7,500 x g
- Leak-proof
- Autoclavable at 121° and freezable to -40°
- RNase/DNase free and non-pyrogenic
- Sterilized by gamma irradiation SAL10<sup>-6</sup> (ISO11137)
- Manufactured in a Class 100,000 cleanroom environment
- Manufactured under ISO13485:2016 and ISO 9001:2015 quality management systems
- Latex free

### Products

Item#	Description	Units
6336	Centrifuge tube, 250mL, conical bottom, PP, attached white cap, STERILE, 6 tubes/bag, 8 bags/case	6 & 48

## 250mL Large Volume Centrifuge Tube

Item# 6336



### Technical Specifications

Material:	Tube: Polypropylene (PP) Complies with USP Class VI Color: Clear
Cap:	HDPE (High Density Polyethylene), Compliance with USP Class VI Color: White
Autoclavable:	Yes (without cap) 121°C
Temperature Range:	-40°C to +121°C
Maximum G-force:	7,500 x g
Sterility:	Gamma sterile, SAL10 <sup>-6</sup> (ISO11137)
Graduations:	Molded, at 5mL, 10mL, 20mL and then to 220mL at 20mL increments



#### Customer service, sales and technical support:

Phone 1 (800) 394-4562 • 1 (201) 599-1400

Fax 1 (201) 599-1406

E-mail [mail@globescientific.com](mailto:mail@globescientific.com)

#### Globe Scientific Inc.

400 Corporate Drive • Mahwah, NJ 07430

[www.globescientific.com](http://www.globescientific.com)